



- ▶ Fully Addressable, Locating
- ▶ Fast Response, Re-usable
- ▶ Suitable for Explosive Area Service
- ▶ Insensitive to Water, UV resistant

Description

The FG-ODP is a Point Sensor for liquid hydrocarbon and non-conductive solvent leak detection. It is suitable to detect hydrocarbon floating on water, for example on tank application. Fast response and re-usable after leak detection, the FG-ODP Point Sensor can be installed in humid environment, as it is insensitive to water.

It is designed to be connected with TTK units FG-NET, FG-BBOX, FG-ALS8-OD, FG-ALS4-OD, FG-A-OD and FG-STAD to provide quick detection of liquid hydrocarbon leaks.

Features & Benefits

FEATURES

- The point sensor is available in 115mm sensing height.
- FG-ODP is IP 68 protection marked (for the electronic components and related connections).
- Can be cleaned.
- Intrinsically safe - can be used in classified areas: Ex ia IIB T4 Ga (IECEx "Zone 0").

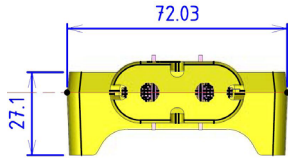
BENEFITS

- Reliable detection:
 - Sensitive to liquid hydrocarbons.
 - Insensitive to water, inorganic pollutants and external loads (pressure). UV resistant.
- Can be reused, allows reducing OPEX (operational expenditures) and testing leak detection under real conditions.
- Easy to install and remove.

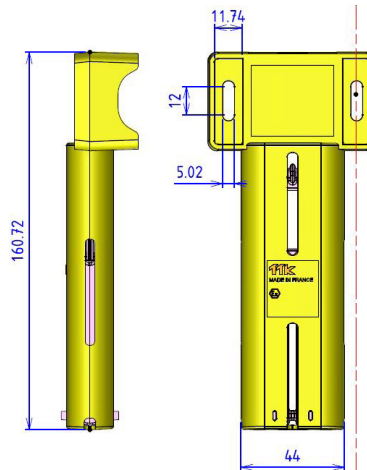
Connectivity & System Capacity

Connectivity	Digital units: FG-NET, FG-NET-LL, FG-ALS8-OD, FG-ALS4-OD, FG-A-OD, FG-STAD Satellite devices: FG-BBOX, FG-BBOX-LL
System Capacity	40 x FG-ODP point sensors per digital unit circuit 10 x FG-ODP point sensors per FG-DOD interfacing box 3 circuits per FG-NET, 2 circuits per FG-BBOX

Product Dimension



All dimensions are in millimetres (mm).



Technical Data

External diameter	40 mm
Tube material	Antistatic Polymer
Leader cable	OD BUS 8771
Min. Max. working temperature	-30°C ≤ Tamb ≤ +100°C
Reusable	Yes
Connector protection index classification (DIN/EN/IEC60529)	IP 68

Identification Codes

FG-ODP	Addressable Oil Point Sensor
FG-NET	Digital Touchscreen Leak Detection Panel 100-240VAC
FG-NET-LL	Digital Touchscreen Leak Detection Panel, 100-240VAC, for OD BUS 8771
FG-ALS8-OD	Analog Touchscreen Panel 8 Zones 100-240VAC - Oil Detection
FG-ALS4-OD	Analog Touchscreen Panel 4 Zones 100-240VAC - Oil Detection
FG-A-OD	Alarm Unit for Hydrocarbon Leak Detection
FG-STAD	Standalone Alarm Unit For Hydrocarbon Leak Detection Sensor
FG-BBOX	FG-NET's Satellite Device - 2 Circuits Black Box 100-240VAC
FG-BBOX-LL	FG-NET's Satellite Device - 2 Circuits Black Box 100-240VAC, for OD BUS 8771
Accessories:	
FG-FLOAT	Float assembly for FG-ODP installation
FG-DOD	OD Bus Interface
FG-DOP	Point Sensor Diversion Connection box for integration of FG-ODP on a OD BUS 8771

Certificates



This brochure has been carefully prepared to ensure technical accuracy but is only intended for promotional use. TTK cannot guarantee that the information contained herein contains no errors or omissions, and hence does not accept responsibility related to the use of its equipment. TTK maintain its obligations set forth in the Standard Terms and Conditions of Sale and will not, under any circumstances, assume liability for any incidental damages, indirect or consequential, arising from the sale, resale, use or misuse of this product. The purchaser(s) accept their responsibility as the sole judge(s) of the adaptability of the product for the intended use. FG-NET, FG-SYS and TOPSurveillance are trademarks of TTK S.A.S. © TTK 2020

- TTK Headquarters / 19 rue du Général Foy / 75008 Paris / France / T : +33.1.56.76.90.10 / F : +33.1.55.90.62.15 / www.ttk.fr / ventes@ttk.fr
- TTK Oil & Gas Division / 19 rue du Général Foy / 75008 Paris / France / T : +33.1.56.76.90.10 / F : +33.1.55.90.62.15 / www.ttk.fr / rrisi@ttk.fr
- TTK UK Ltd. / 3 Luke Street / London EC2A 4PX / United Kingdom / T : 0207 729 6002 / F : 0207 729 6003 / www.ttkuk.com / sales@ttkuk.com
- TTK Pte Ltd. / #09-05, Shenton House, 3 Shenton Way / Singapore 068805 / Tel.+65-6220.2068 / Mob: +65.9271.6191 / Fax. +65-6220.2026 / www.ttk.sg / sales@ttk.sg
- TTK Asia Ltd. / 2107-2108 Kai Tak Commercial Building / 317 Des Voeux Road Central / Hongkong / Tel.+852.2858.7128 / Fax.+852.2858.8428 / www.ttkasia.com / info@ttkasia.com
- TTK Middle East FZCO / Building 6EA, Office 510 PO Box 54925 / Dubai Airport Free Zone / UAE / T: +971 4 70 17 553 / M: +971 50 259 66 29 / www.ttkuk.com / cgalniche@ttk.fr
- TTK Deutschland GmbH / Berner Strasse 34 / 60437 Frankfurt / Deutschland / T : +49(0)69-95005630 / F : +49(0)69-95005640 / www.ttk-gmbh.de / vertrieb@ttk-gmbh.de
- TTK North America Inc / 1730 St. Laurent Boulevard, Suite 800 / Ottawa, ON K1G 5L1 / Canada / T : +1 613 566 5968 / www.ttkcanada.com / info@ttkcanada.com
- Thomas Sales & Marketing Inc. TTK Master Distributor For USA / 7200 W 66th St / Bedford Park, IL 60638 / The United States / T: +1 630-518-4724 / www.ttkusa.com / dmolk@ttkusa.com